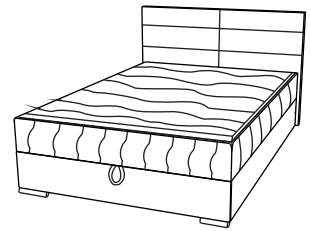

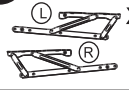












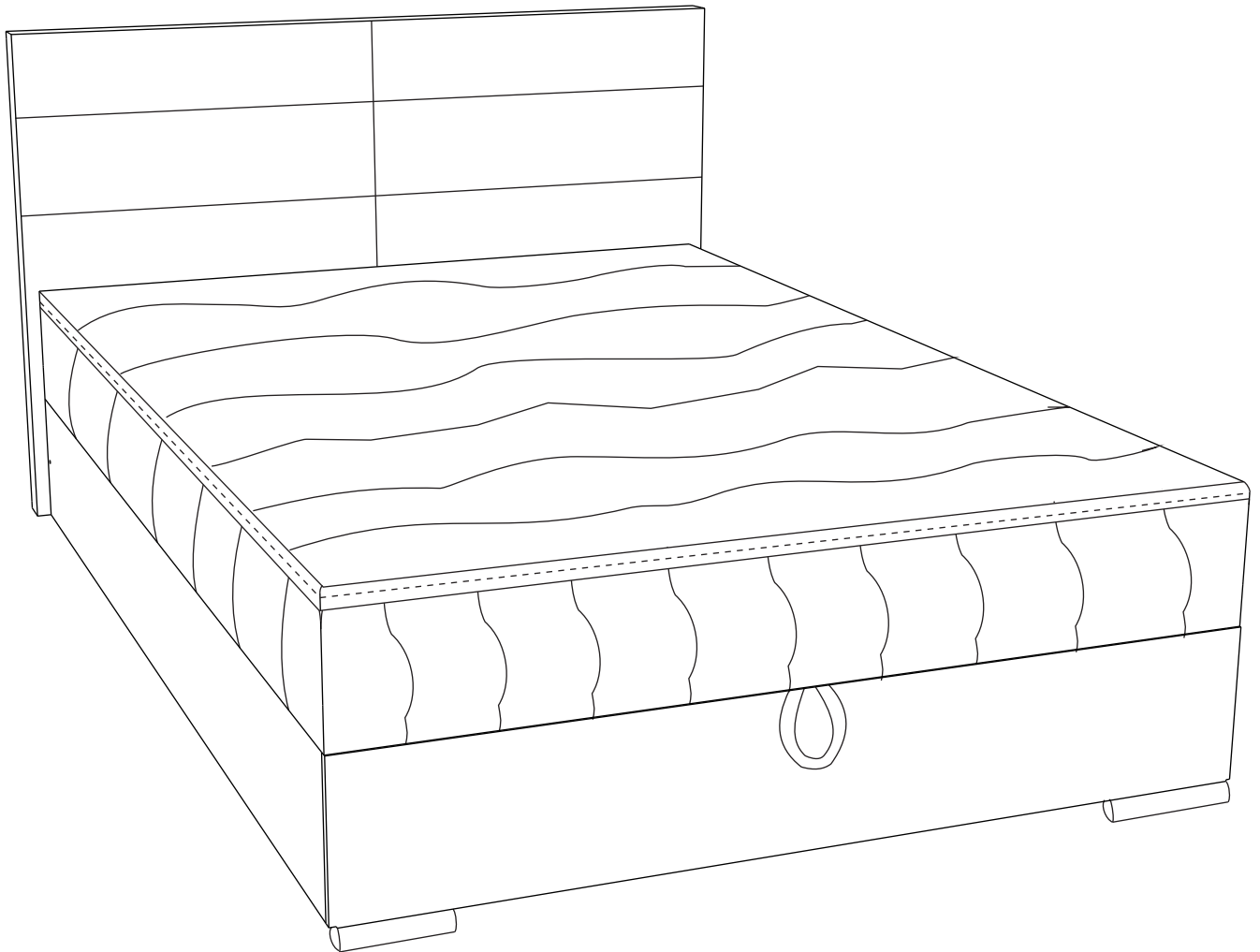


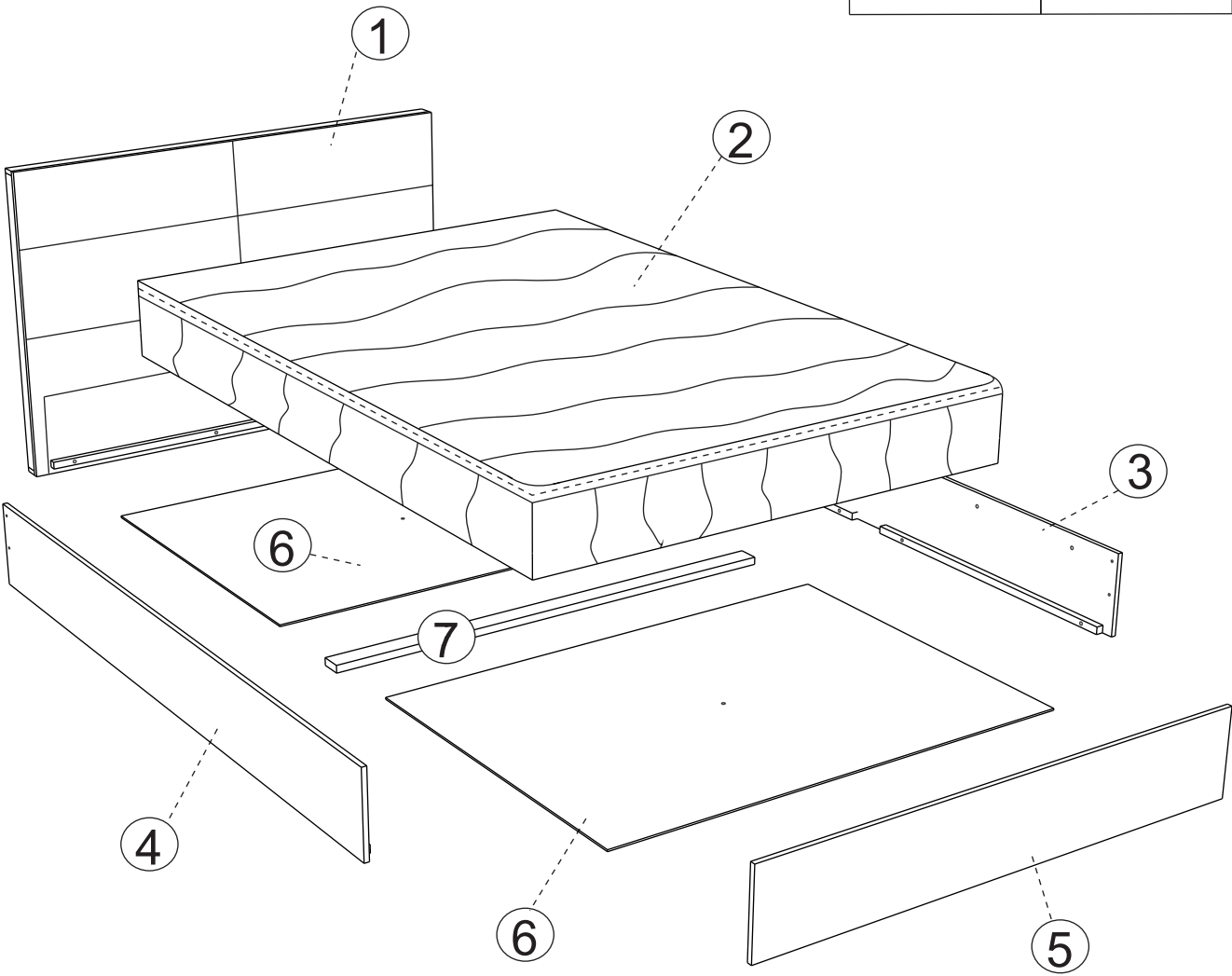
90/120/140x200





A  x2	B  x1	C  x2	D  x8 M6x20	E  x8 M6x16	F  x8 M8x20	G  x2 5X30	H  x2 M6	I  x4 M8
J  x4	K  x4 M8x16	L  x5	M  x1	N  x1 M6x30				

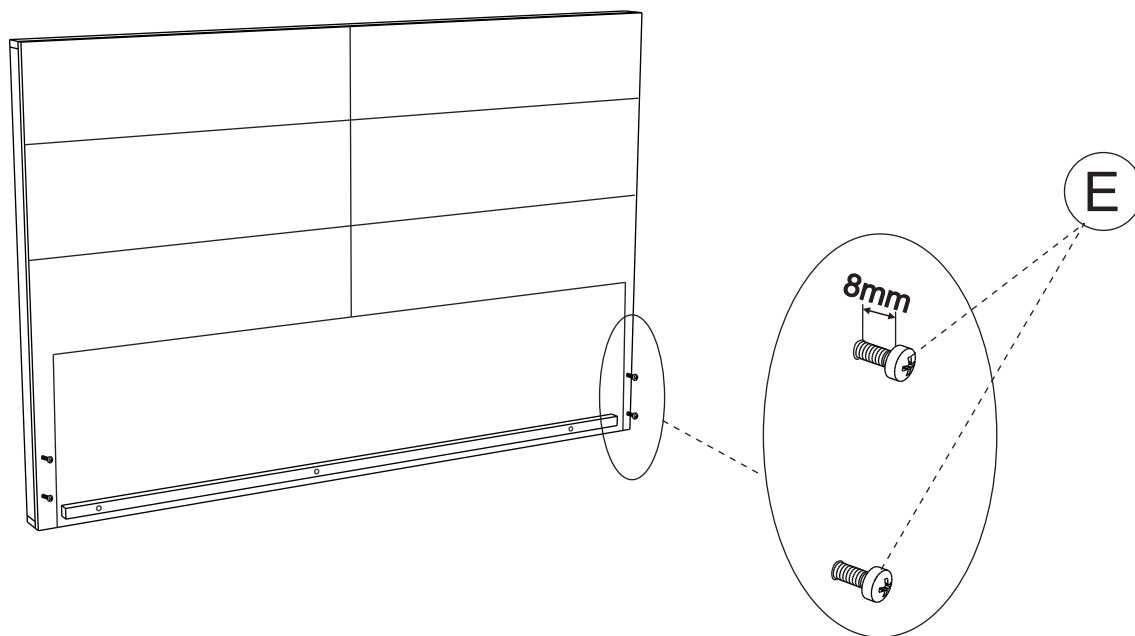


Colli	Teil
1/2	1+5+6+6+7
2/2	2+3+4







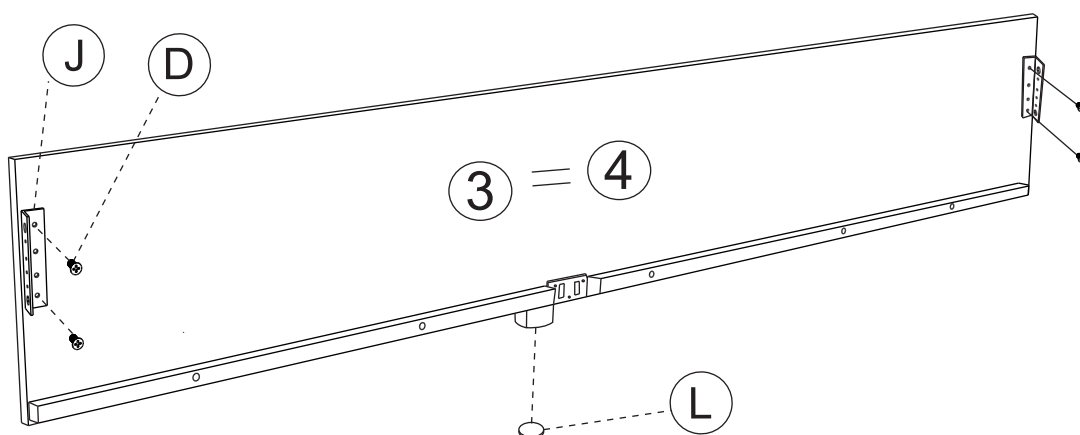
1

E		x4	
	M6x16		

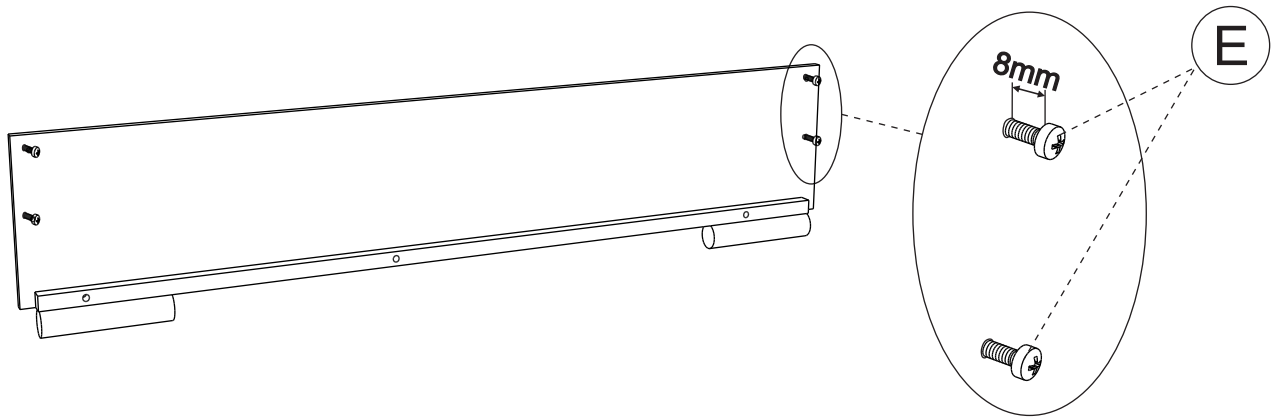
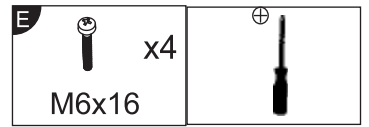


2 2x

L		x2	J		x2	D		x4	
						M6x20			

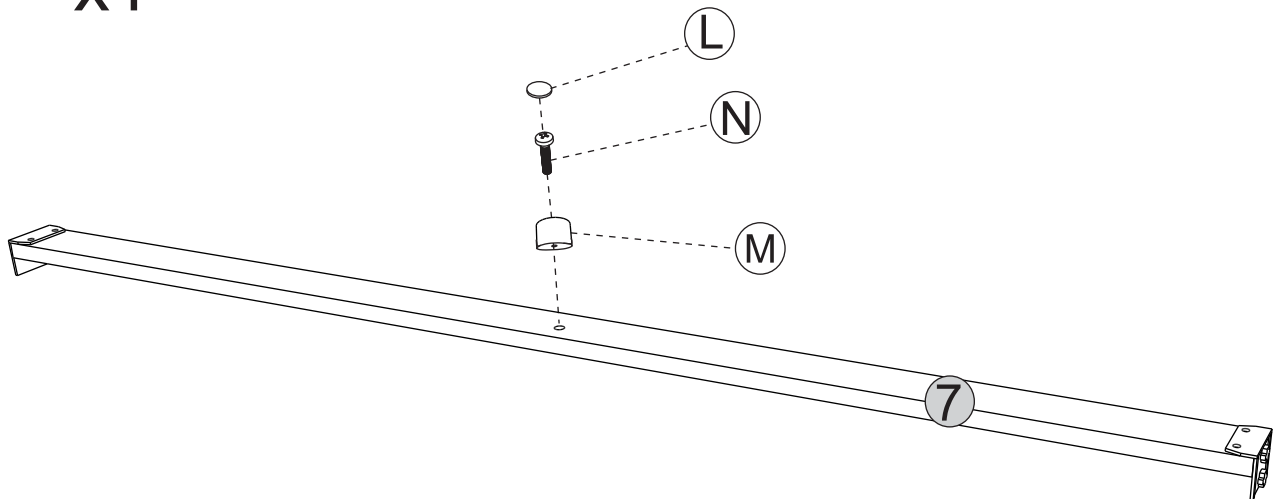
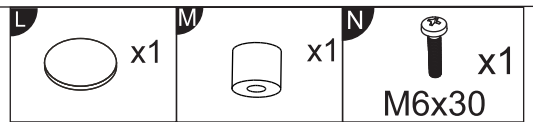


3

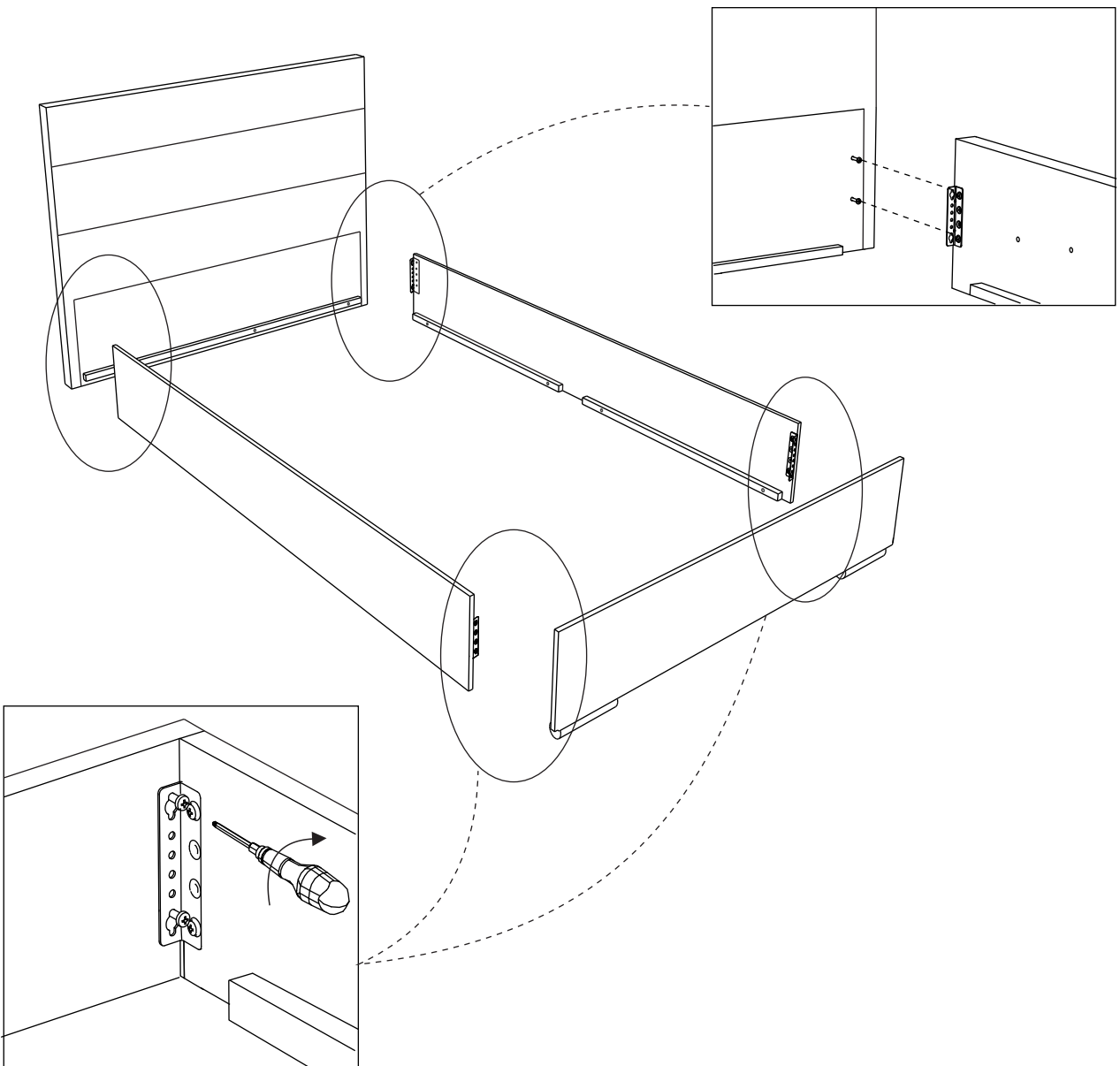
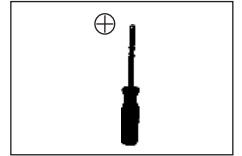


4

x1

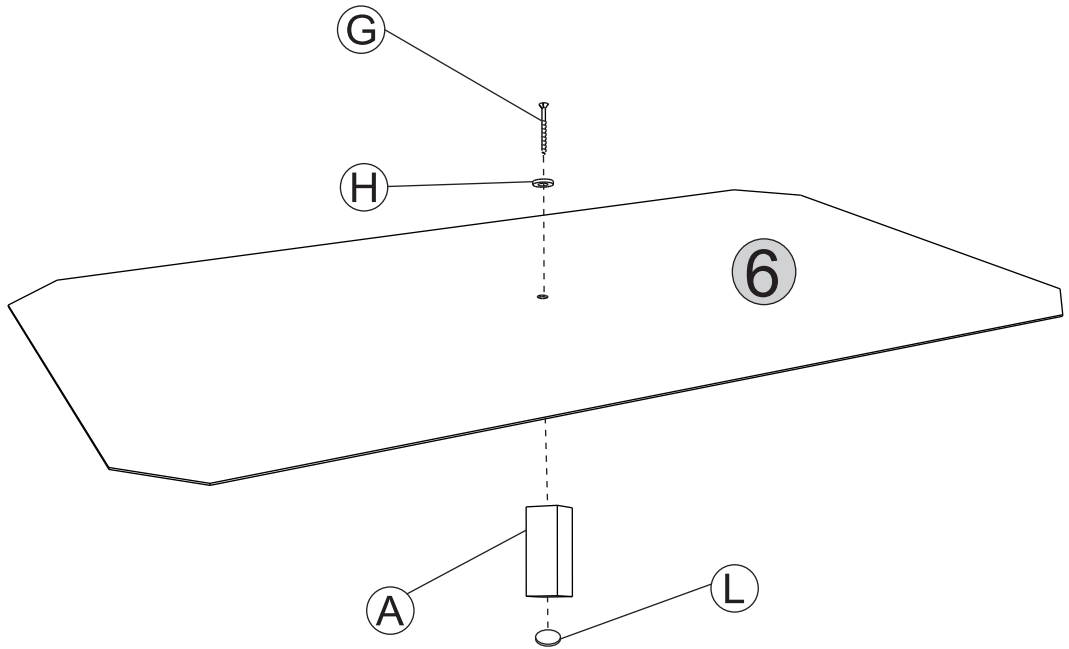
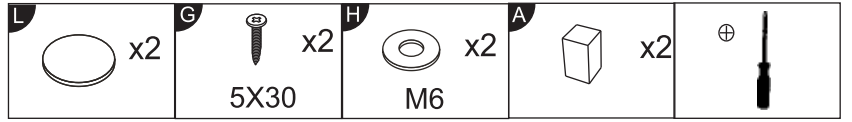


3



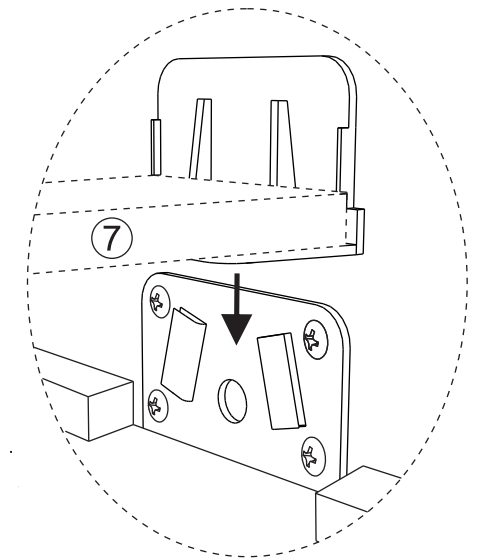
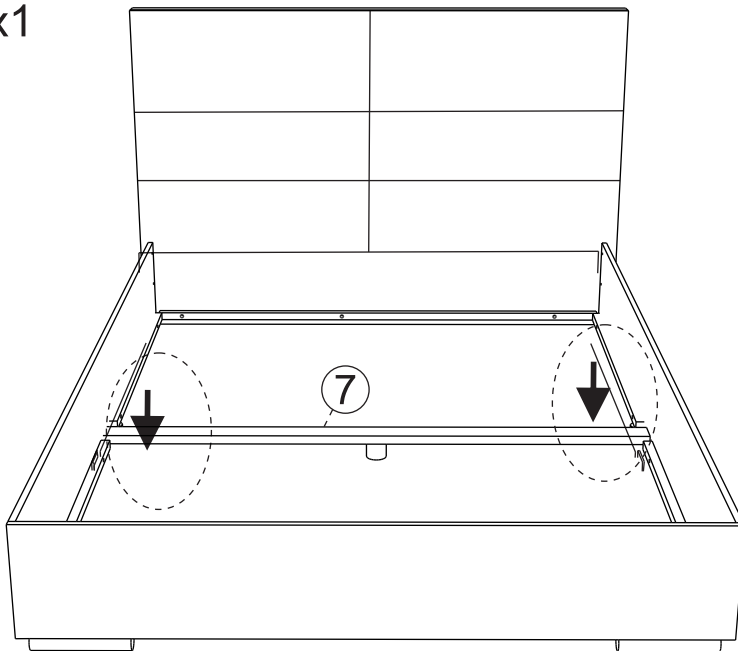
5

2x

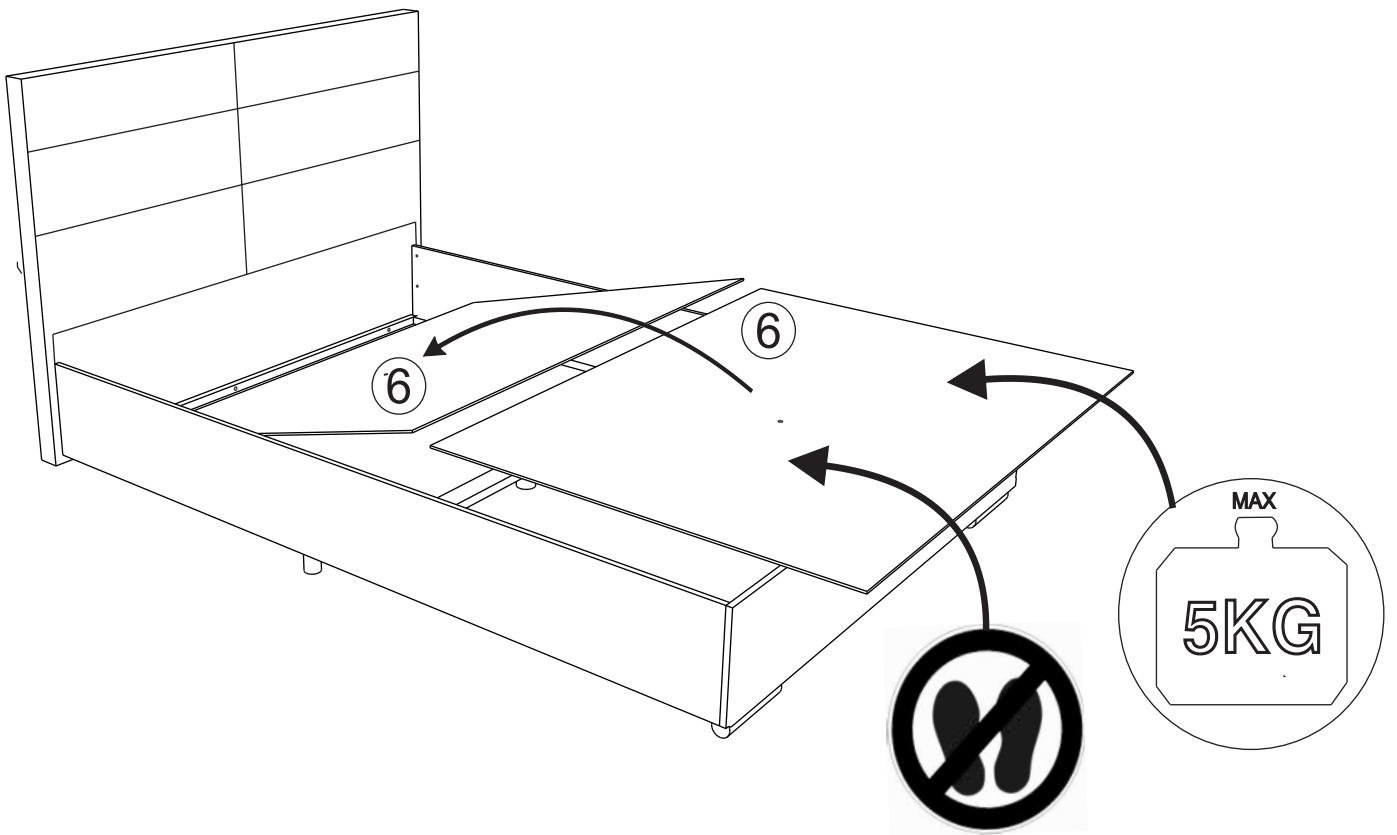


6

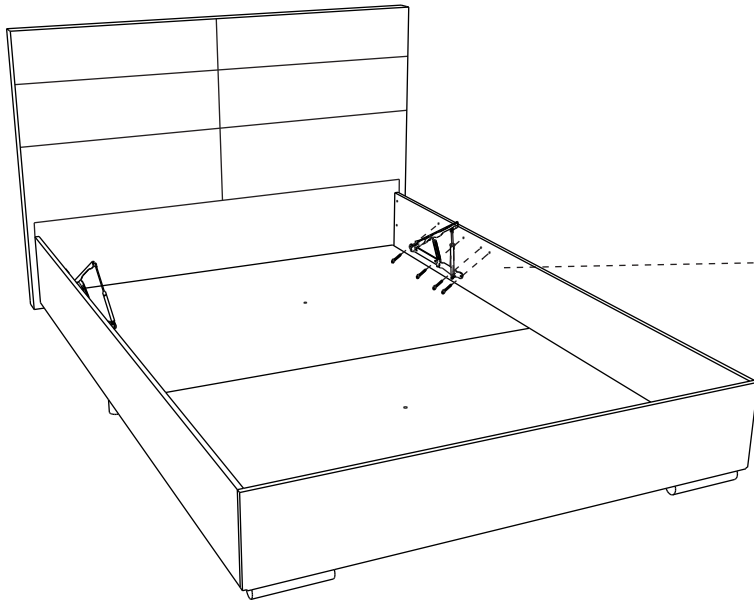
x1

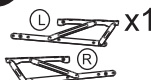




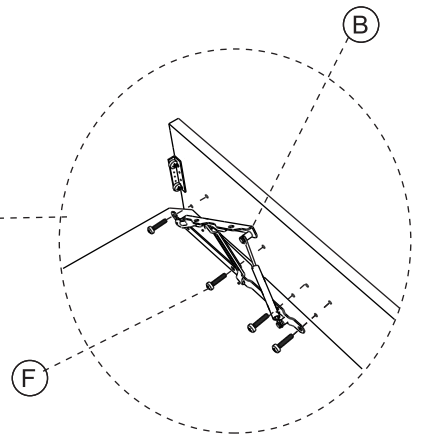
6



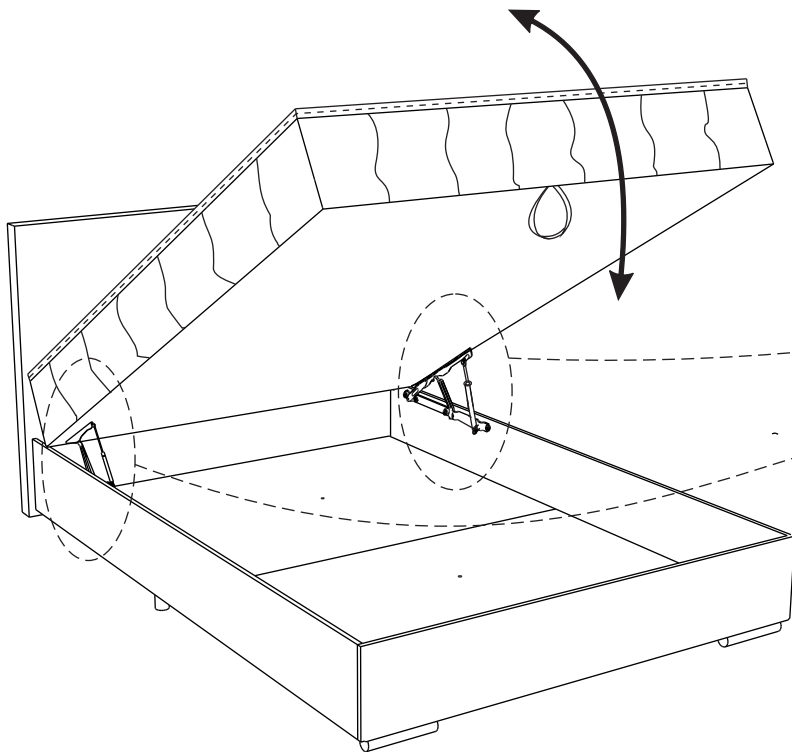
8





B  x1	F  x8 M8x20	
--	---	---



9



I  x4 M8	 #13
--	---

